



# CAPRI

ROOF-MOUNTED TYPE – PERGOLA TYPE



*“... and we  
harvest oranges  
in the winter!”*

*Just  
enjoy life!*

**Lewens**  
MARKISEN



## Climate change made easy

With the CAPRI awning from LEWENS, you even have control over bright sunshine. Whether you're in the conservatory or on the patio, the sun's glare and heat stay outside. Under the awning, you and your plants enjoy a summer-like climate that is made to measure.



## Technical sophistication

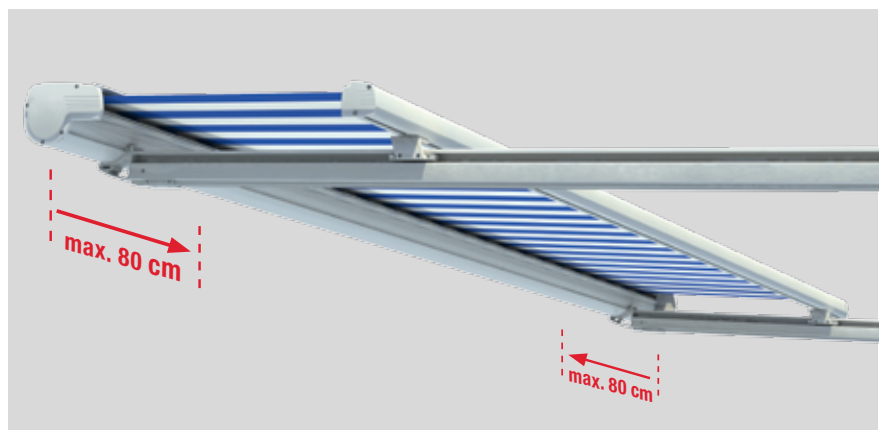
The CAPRI conservatory awning is fitted to your conservatory as an external sunshade, preventing excessive sunlight from getting in and heating up the room. Its quiet operation and the shapely yet sturdy cassette (which acts as a weather shield) offer impressive evidence of its quality, which extends right down to the last detail.

## Flexibility

The CAPRI from LEWENS is extremely flexible to use:

The lateral guide rails can be set variably on installation in a range of 7 to 80 cm from the outside edge (see figure right).

It's the perfect solution even for hipped conservatories or slanting glass panes.

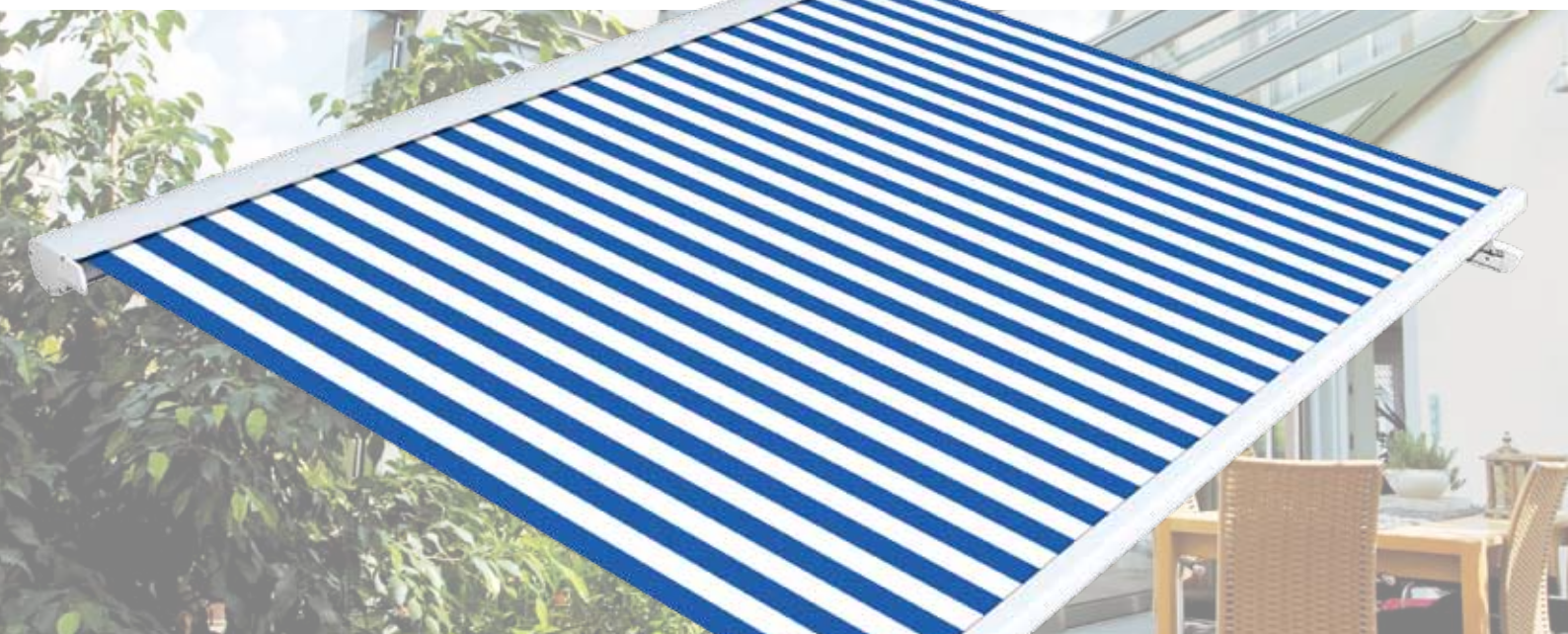


## ROOF-MOUNTED TYPE

For fitting on the conservatory, the **CAPRI ROOF-MOUNTED TYPE** is supplied as standard with rail holders.

Depending on attachment and type of mounting, however, variable mounting feet and brackets can be ordered additionally for an extra charge.

*With its shapely design and compact dimensions, the awning blends harmoniously into the appearance of the façade.*



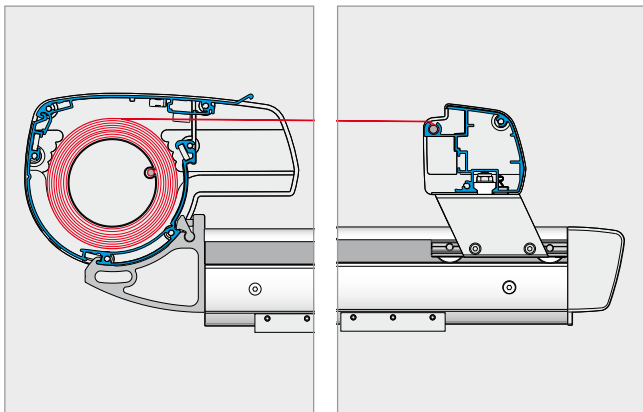
## PERGOLA TYPE

The **PERGOLA TYPE** of the CAPRI is a particularly sturdy design for creating shade on the patio.

Here too, the rails and support posts can be positioned variably as desired. Unless otherwise specified, the posts are supplied positioned 25 cm inwards (distance from the lateral edge of the cassette to the centre of the support post).



# SYSTEM



## Certification

**CE** Quality and engineering conform to CE standard  
EN 13561

**made in germany** Manufactured and assembled in Germany

## Warranties

**5** Jahre Garantie  
**LeWens** 5-year warranty on all Lewens system components

**LIFE** LIFE-Guarantee  
LEWENS awnings stand for:

**L**.UST FOR LIFE  
**I**.NTELLIGENCE  
**F**.REEDOM  
**E**.ASY LIVING

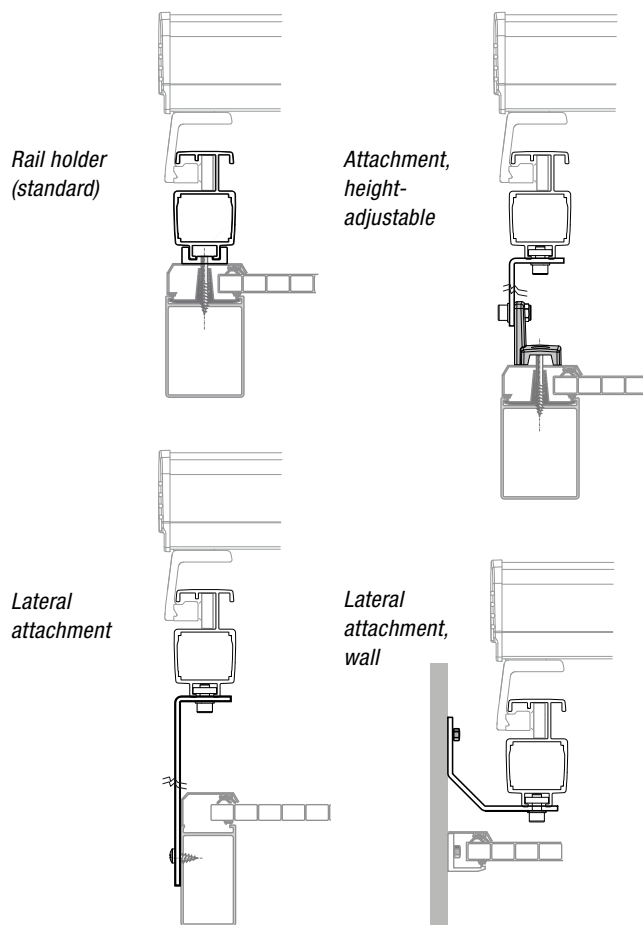
## Technical features

TYPE	ROOF-MOUNTED	PERGOLA
Width 1 unit	max. 700 cm	max. 600 cm
Width 2 units	max. 1200 cm (linked system)	
Drop	max. 600 cm	max. 600 cm (posts at 500 cm)
Height of posts		max. 300 cm

Centimetre-accurate manufacture in all intermediate widths!

Drive	Motor drive (electric motor)	
Scope of supply, attachment	<ul style="list-style-type: none"> <li>incl. rail holders, without mounting screws/dowels;</li> <li>see price list for number of rail holders</li> <li>extra charge for any additional mounting material required</li> </ul>	<ul style="list-style-type: none"> <li>two support posts</li> <li>cross member</li> <li>base consoles</li> <li>rail holder fixtures</li> <li>always with 25 cm spacing (outer edge of cassette to centre of post) unless otherwise specified</li> </ul>
Framework colours	<ul style="list-style-type: none"> <li>16 RAL colours and 5 textured finishes to choose from (see LEWENS price list for colour chart)</li> <li>Special RAL (extra charge)</li> <li>Special colours and effect coatings on request</li> </ul>	
Awning fabrics	<ul style="list-style-type: none"> <li>From our LEWENS collection</li> <li>Branded acrylic, spun-dyed, ultra fade resistant</li> <li>All seams of Tenara yarn</li> <li>With corner reinforcement and side seam (10 cm)</li> </ul>	
Accessories	<ul style="list-style-type: none"> <li>Sun and wind sensor</li> <li>Electric motor with integral radio control</li> </ul>	

## Fitting



See price list for dimensions of attachment fixtures

**LeWens**  
MARKISEN

Your stockist will be happy to advise you:

Just enjoy life!

www.lewens-markisen.de