

GLASS ROOF

and conservatory shading

MURANO VETRO + INTEGRALE – CAPRI



*Just
enjoy life!*

Lewens
MARKISEN



CONTENTS

GLASS ROOFS and SHADING Overview 5

CAPRI 6 - 7

MURANO VETRO 8 - 9

MURANO INTEGRALE 10 - 11

MICRO 850/1000 – vertical awning (add-on product) 12

MICRO 700 – side screen awning (add-on product) 14

SYSTEM/FITTING **CAPRI** 15

SYSTEM/FITTING **MURANO** 16 - 17

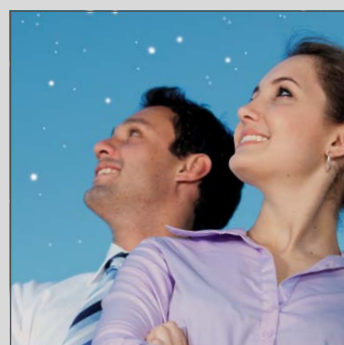
LEWENS RANGE OF AWNINGS 18

FRAME COLOURS 19

AWNING FABRICS 19

NEW

**21 FRAME COLOURS
AT NO EXTRA CHARGE!**



CLEVER DESIGN



*"My very own
light therapy
for a
cheerful mood!"*

Who doesn't love to sit out on the garden patio and enjoy the charms of nature? A glass roof or conservatory gives you independence from the weather all year round, along with the feeling of being outdoors – and shade from the sun means that even hot summers are bearable. For light moments and a clear view.



GLASS ROOF SYSTEMS

Maybe you like stargazing at night; perhaps you like to count snowflakes in winter, or to have the feeling of being outdoors, even in a summer cloudburst. Whatever your preference, glass roofs and conservatories always create a unique living space.

And when the light or the heat becomes too intense, Lewens awnings provide shade – as much or as little as you desire!

A glass roof pure and simple, or with a sunshade – choose your favourite model:



CAPRI – awning for glass roofs and conservatories



Awning for fitting onto an existing glass roof or conservatory.

When erected on posts, the Capri **Pergola type** provides a sturdy patio awning.

Max. width 700 cm and drop 600 cm.*

Read **more on page 6**.

MURANO VETRO – glass roof



Glass roof creating a canopy for patios and areas close to the house, for protection from the weather and a clear view.

Available as a **FLUSH** type with posts in line with the front profile, or as an **OVERHANG** type with recessed posts.

Max. width 700 cm and depth 500 cm.*

Read **more on page 8**.

MURANO INTEGRALE – with integral awning



Glass roof with integral roof-mounted awning for patios and areas close to the house, offering combined protection from the weather and shade from the sun.

Also available as a **FLUSH** type with posts in line with the front profile, or as an **OVERHANG** type with recessed posts.

Max. width 700 cm and depth 500 cm.*

Read **more on page 10**.

* Please refer to the technical data in the current Lewens price list for possible dimensions and restrictions.

CAPRI



"... and we harvest oranges in the winter!"

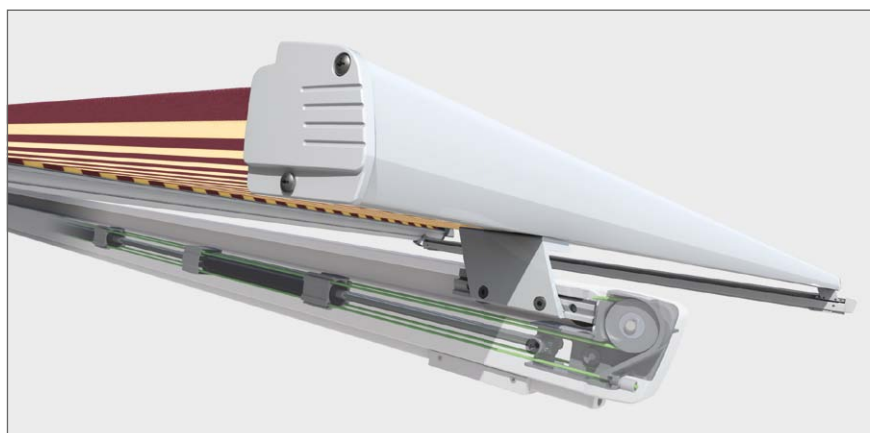
With the CAPRI from LEWENS, you even have control over bright sunshine. Whether you're in the conservatory or on the patio, the sun's glare and heat stay outside. You and your plants enjoy a summer-like climate that is made to measure.

ROOF-MOUNTED TYPE

For fitting on the conservatory, the CAPRI is supplied as standard with rail holders. Depending on attachment and type of mounting, however, variable mounting feet and brackets can be ordered additionally for an extra charge.

Technical sophistication

The CAPRI is fitted to your conservatory as an external sunshade, preventing excessive sunlight from getting in and heating up the room. Its quiet operation and the shapely yet sturdy cassette (which acts as a weather shield) offer impressive evidence of its quality, which extends right down to the last detail.





Sturdy, wind-resistant and ready to host a party: the CAPRI PERGOLA model



Quiet operation of the front profile thanks to the carriage supported on needle roller bearings



"It's going to be a fun party!"

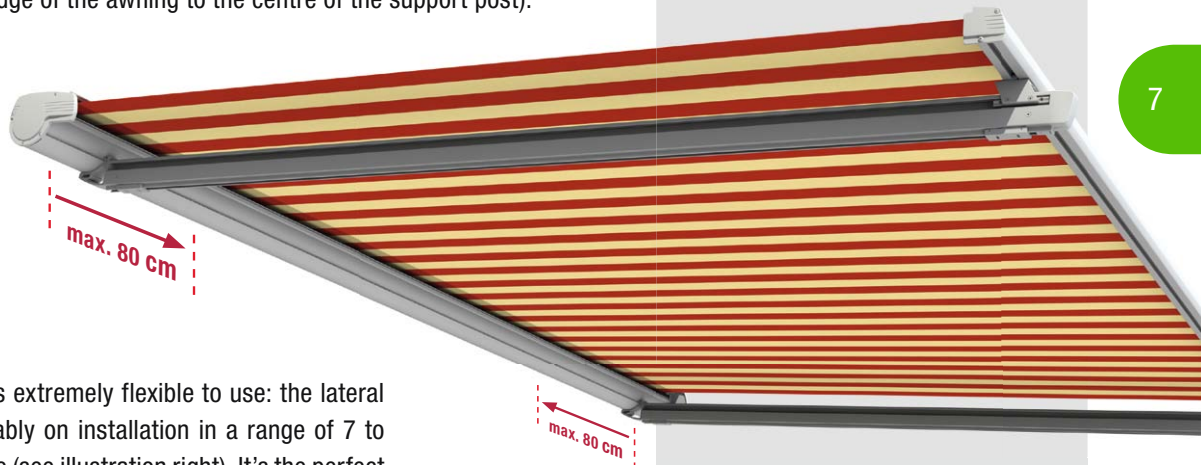
PERGOLA TYPE

The PERGOLA type of the CAPRI is a particularly sturdy design for creating shade on the patio. Here too, the rails and support posts can be positioned variably as desired.

Unless otherwise specified, the posts are supplied positioned 25 cm inwards (distance from the lateral edge of the awning to the centre of the support post).

Made-to-measure flexibility

The CAPRI from LEWENS is extremely flexible to use: the lateral guide rails can be set variably on installation in a range of 7 to 80 cm from the outside edge (see illustration right). It's the perfect solution even for hipped conservatories or slanting glass panes.



MURANO VETRO



*“Like being
in seventh heaven!”*



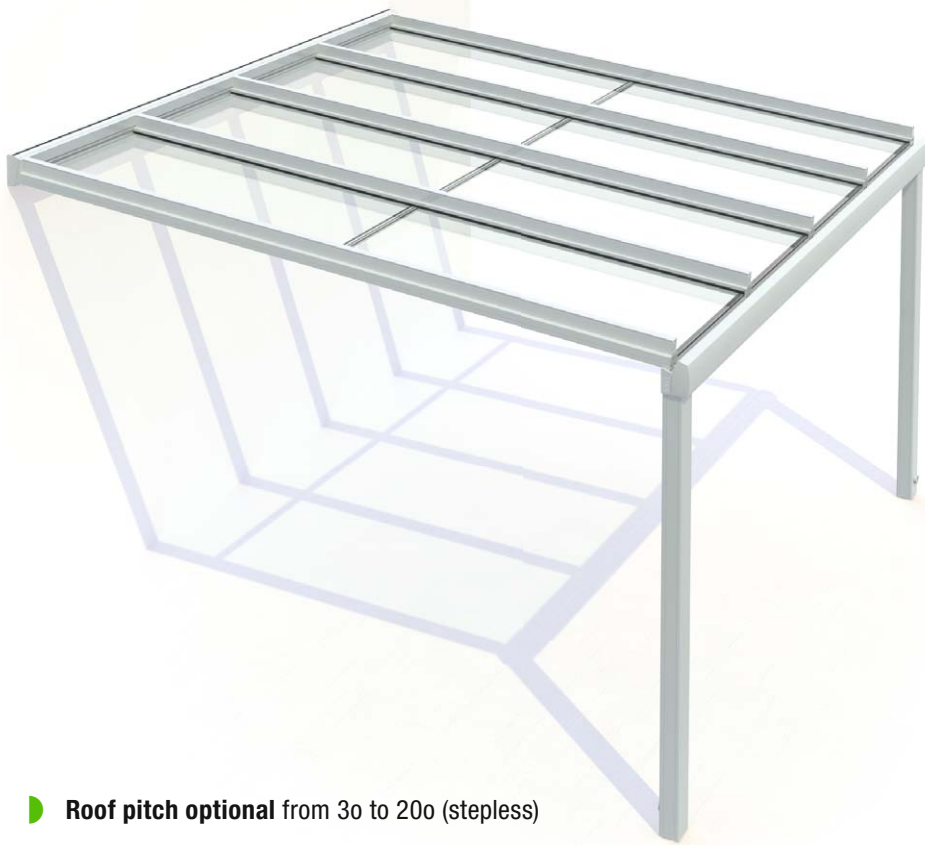
*“We can reach
for the stars
from here!”*

8

Bathed in the warm rays of the evening sun, listening to the patter of thundery showers in the morning or even watching the snowflakes drift softly down, sitting under the MURANO VETRO glass roof is guaranteed to be the favourite spot of the whole family – from early morning to late at night and from January to December!!

In the MURANO VETRO glass roof you have the perfect protection from the weather at any time of the year, allowing you to extend the patio season. No matter whether you fancy a winter barbecue or want to inhale the fresh scent of a rainy day, MURANO VETRO is the perfect solution.

Choose your favourite: the **FLUSH** type with posts in line with the front profile and integral gutter, or the **OVERHANG** type with recessed posts. Both types are also available with posts positioned laterally inwards. With a maximum width of 700 cm and a depth of 500 cm, the MURANO VETRO is also suitable for larger patios. The elegant structure can be installed relatively easily on virtually any patio.



- **Roof pitch optional** from 30 to 200 (stepless)
- **Wide purlin spacings** of 80 to 120 cm (depending on the snow load zone) permit the use of large glass panels
- **Width up to 700 cm**, depth up to **500 cm**, with 2 to 3 posts (depending on the snow load zone and desired model)*
- **Vertical awnings can be fitted to the front** (1 panel up to 400 cm, over 400 cm 2 panels with 3 posts)*



FLUSH TYPE

with **posts in line with the front profile**: compact and modern for maximum space utilisation under the glass roof.

On this type the rain gutter is in line with the posts.

Rainwater drains via the purlins, the rain gutter and down the inside of the post.



OVERHANG TYPE

with **recessed posts**: the posts can stand on the paved patio and the roof overhang can be taken out beyond these. A rain chain of high-grade steel is also supplied, as rainwater cannot drain down through the posts.



Flush wall fitting easily remedies areas of unevenness



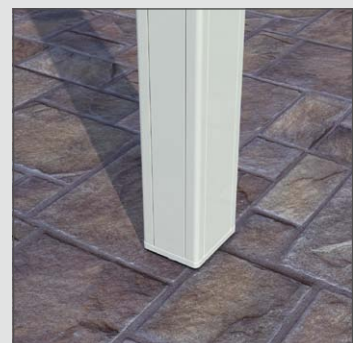
The discreet projection of the purlins over the gutter is virtually invisible.



Optional vertical awnings on the front for privacy and shade from the sun



Rainwater drains via the purlins, gutter and posts.



The post height can be varied on installation by a threaded rod

* Please refer to the technical data in the current Lewens price list for possible dimensions and restrictions.

MURANO INTEGRALE

*"A roof of glass,
the stuff
of dreams!"*



*"A little more,
perhaps?"*

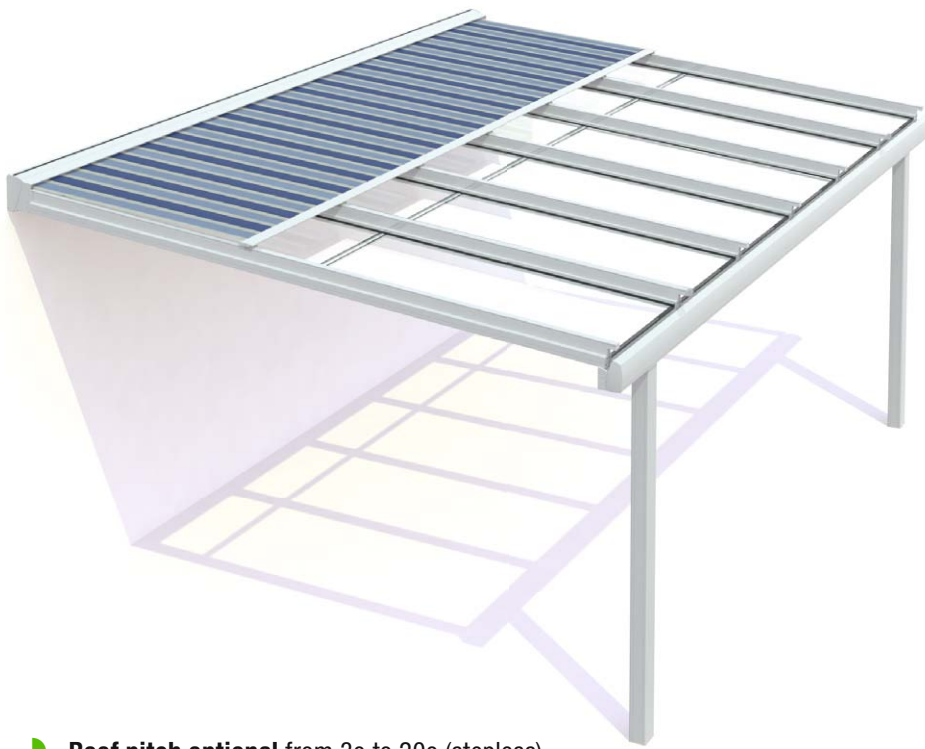
It's as versatile as the weather and seasons demand. MURANO INTEGRALE offers variable protection from the rain, the temperature and too much sun. A glass roof with an integral awning – when the sun moves, the shade moves with it. All in all, a very practical solution.

With an awning integrated into the wall profile, MURANO INTEGRALE combines the transparency and weather protection of a glass roof with the advantages of a high-quality, practical sunshade.

Choose your favourite: the **FLUSH** type with posts in line with the front profile and integral gutter, or the **OVERHANG** type with recessed posts. Both types are also available with posts positioned laterally inwards. With a maximum width of 700 cm and a depth of 500 cm, the MURANO INTEGRALE is also suitable for larger patios. The elegant structure can be installed relatively easily on virtually any patio.

For even greater comfort you can equip your MURANO INTEGRALE with the following **optional features**:

- ▶ **Radio remote control**
- ▶ **Sun and wind sensor**



- **Roof pitch optional** from 30 to 200 (stepless)
- **Wide purlin spacings** of 80 to 120 cm (depending on the snow load zone) permit the use of large glass panels; **slim purlins** hold the awning fabric at a distance from the glass, keeping it clean for longer
- Width up to **700 cm**, depth up to **500 cm**, with 2 to 3 posts (depending on the snow load zone and desired model)*
- **Vertical awnings can be fitted to the front** (1 panel up to 400 cm, over 400 cm 2 panels with 3 posts)*



FLUSH TYPE

with **posts in line with the front profile** for maximum space utilisation under the glass roof.

On this type the rain gutter is in line with the posts.

Rainwater drains via the purlins, the rain gutter and down the inside of the post.



OVERHANG TYPE

with **recessed posts**: the posts can stand on the paved patio and the roof overhang can be taken out beyond these. A rain chain of high-grade steel is also supplied, as rainwater cannot drain down through the posts.



*The cassette is flush with the wall, concealing the **integrated** awning system*



*Lateral guide and a 5 mm spacing from the rail **prevents soiling***



*Optional **vertical awnings** at the front for privacy and shade*



***Minimal light gap**, because the front profile is taken out over the gutter*



***Rainwater** drains down via the purlins, rain gutter and posts.*

* Please refer to the technical data in the current Lewens price list for possible dimensions and restrictions.

MICRO 850/1000



The MICRO 850/1000 vertical awning will add further enhancements to your glass roof or conservatory: perfect shade from the sun and glare, a special quality of light, and privacy from prying eyes – yet you retain the view to the outside.

The Micro 850/1000 was developed especially for use with conservatories, windows and loggias. It features a lateral guide track and a compact cassette, which offers optimum protection for the awning fabric when closed.

Choose from the **open** or **closed lateral guide** type depending on your requirements and opt for **additional features** for even greater comfort.

This awning comes with **electric motor operation**. Manual crank operation from inside or outside is also possible on request (reduced price).

Options

- ▶ Radio remote control
- ▶ Sun and wind sensor



VERTICAL SCREEN AWNING



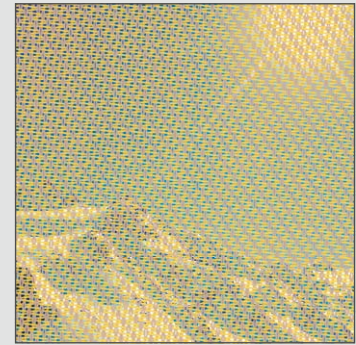
- ▶ The **MICRO 850** and **850 Z*** have cassette dimensions of 86.5 x 87.5 mm.
Panel width, 1 panel, motor drive:
 MICRO 850 max. 300 cm
 MICRO 850 Z max. 275 cm
Unit height:
 MICRO 850 max. 250 cm
 MICRO 850 Z max. 200 cm

- ▶ The **MICRO 1000** and **1000 Z*** have cassette dimensions of 101.5 x 102.5 mm.
Panel width, 1 panel, motor drive:
 max. 400 cm
Unit height: max. 375 cm

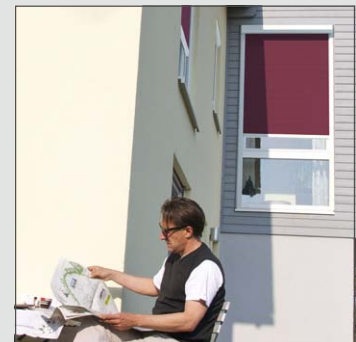
- ▶ **Awning fabrics** in a wide range of colours:
 - Glass fibre **screen fabric** (Sergé)
 - **Soltis 92** (extra charge)
 - Blackout fabrics (extra charge)



Optional **vertical awnings** at the front offer shade from the sun and privacy



Glass fibre screen fabric for sun and glare protection with a view to the outside.



The **MICRO 850/1000** is a window awning that blends harmoniously into the façade.

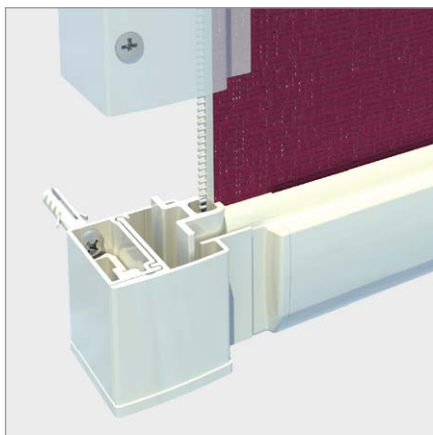


Elegant: the compact dimensions and modern design of the **cassette**.



Lateral track and bottom profile form a unified whole visually.

CLOSED GUIDE (Z)

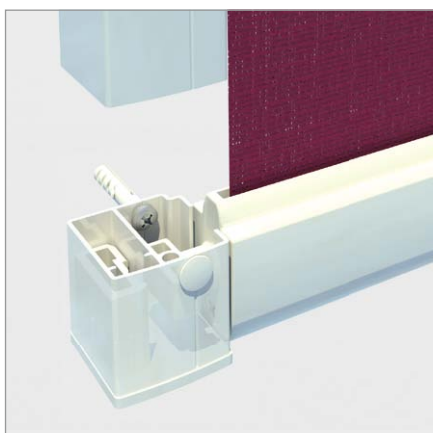


On the MICRO 850 Z and 1000 Z types, the fabric runs in a lateral guide (zipper method).

Wind protection: The lateral attachment reliably prevents excessive flapping caused by the wind.

Sun protection: In addition, the fabric and lateral guide tracks form an integral unit. This prevents any slits of light from penetrating at the side.

OPEN GUIDE



On the MICRO 850 and 1000 models, the awning fabric is extended “open”, i.e. without any lateral guide.

You'll find further information in the “Window and Façade Shading” brochure or the “MICRO 850/1000” individual brochure.

* Please refer to the technical data in the current Lewens price list for possible dimensions and restrictions.



The perfect complement to your glass roof:

The MICRO 700 side screen awning turns your patio, balcony or loggia into your refuge. You enjoy privacy and protection from the sun and wind as well as a holiday atmosphere!

- ▶ Unit height: max. 250 cm *
- ▶ Extension: max. 400 cm (depending on height and fabric) *
- ▶ Manual operation
- ▶ Includes post and wall mounting bracket; other brackets possible (extra charge)
- ▶ Frame colours: as for FAMILY awnings
- ▶ Fabrics: acrylic and Soltis 92 from our Lewens collection

Simply extend the MICRO 700 using the handle and hook it onto the post. The **bottom castor** permits easy movement. – The awning shaft is fitted with an **anti-kickback brake** for safe, convenient operation.

The fabric for the MICRO 700 can be perfectly coordinated to complement your awning.

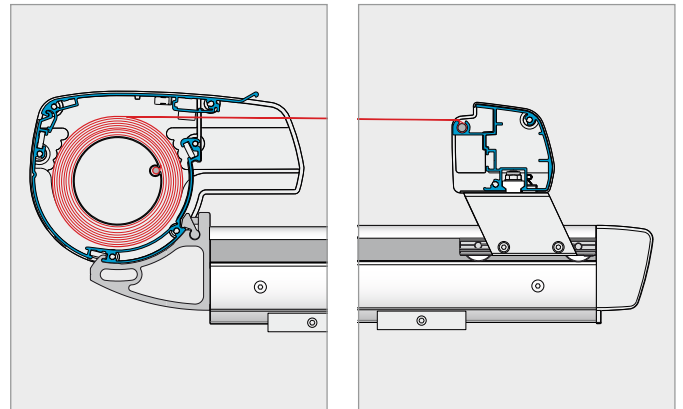
You can find further information in the MICRO 700 individual brochure.



TECHNICAL DATA

CAPRI

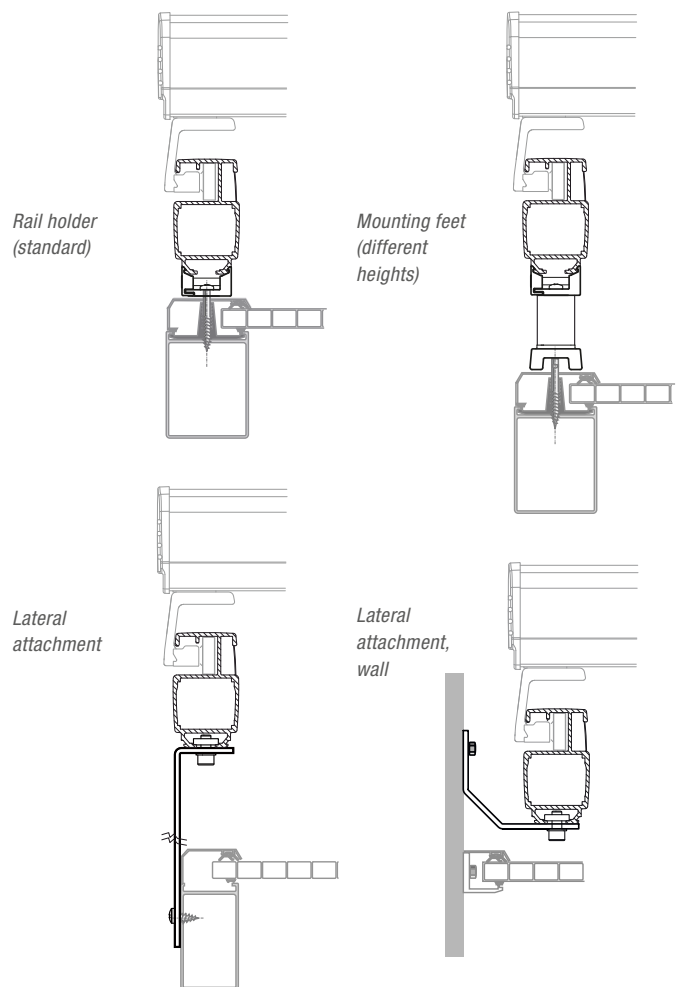
MODEL	CAPRI	
TYPE	ROOF-MOUNTED	PERGOLA
Width 1 unit	max. 700 cm	max. 600 cm
Width 2 units	max. 1.200 cm (linked system, without slit cover, slit approx. 4 cm)	
Drop	max. 600 cm	max. 600 cm (posts at 500 cm)
Height of posts		max. 300 cm (adjustment in situ)



FITTING

Centimetre-accurate manufacture
in all intermediate widths!

Drive	Motor drive (electric motor)	
Scope of supply, attachment	<ul style="list-style-type: none"> incl. rail holders, without mounting screws/dowels; see price list for number of rail holders extra charge for any additional mounting material required 	<ul style="list-style-type: none"> two support posts cross member base consoles rail holder fixtures support posts always with 25 cm spacing (outer edge of awning to centre of post) unless otherwise specified two wall brackets for casing
Frame colours	<ul style="list-style-type: none"> 16 RAL colours and 5 textured finishes to choose from (see LEWENS price list for colour chart) Special RAL (extra charge) Special colours and effect finishes on request 	
Awning fabrics	<ul style="list-style-type: none"> From our LEWENS collection Branded acrylic, spun-dyed, ultra fade resistant All seams of Tenara yarn With corner reinforcement and side seam (10 cm) 	
Accessories (extra uitrusting)	<ol style="list-style-type: none"> Radio remote control / electric motor with integral radio control Sun and wind sensor 	



See price list for dimensions of attachment fixtures

CERTIFICATION



CE Standard: Look for the mark that guarantees the technical safety of our products.

Branded goods from Germany: Lewens awnings are manufactured and assembled in Germany – quality “made in Germany”!

TECHNICAL DATA

MURANO

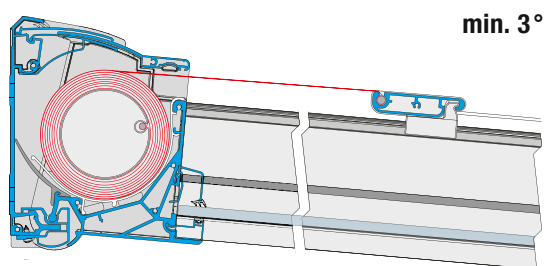
MODEL	MURANO VETRO	MURANO INTEGRALE
TYPE	Roof FLUSH (B) and roof with OVERHANG (Ü)	Roof FLUSH (B) and roof with OVERHANG (Ü)
Width 1 unit	max. 700 cm	Depending on the model, structural design and snow load zone – the purlins (cross-members) are reinforced by a steel section inside
Depth	max. 500 cm	– not all structural designs are possible in all formats with just 2 posts.
Roof pitch	3° - 20° (stepless)	
Purlin spacings	80 bis 120 cm, depending on the snow load zone	
Post height	max. 300 cm	
Construction height	Dependent on depth selected and roof pitch between 3° and 20°	

Centimetre-accurate manufacture in all intermediate widths!

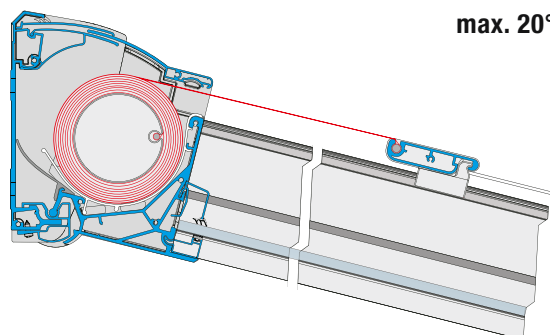
Drive	Motor drive (electric motor)
Framekleuren	<ul style="list-style-type: none"> – 16 RAL colours and 5 textured finishes to choose from (see LEWENS price list for colour chart) – Special RAL (extra charge) – Special colours and effect finishes on request
Zonnescherm- doeken	<ul style="list-style-type: none"> – From our LEWENS collection – Branded acrylic, spun-dyed, ultra fade resistant – All seams of Tenara yarn – With corner reinforcement and side seam (10 cm)
Opties <i>(extra uitrusting)</i>	<ol style="list-style-type: none"> 1. Radio remote control/electric motor with integral radio control 2. Sun and wind sensor

Please refer to the technical data in the current **Lewens price list** for possible **dimensions and restrictions**.

Roof pitch (illustration: MURANO INTEGRALE)



min. 3°



max. 20°

CERTIFICATION



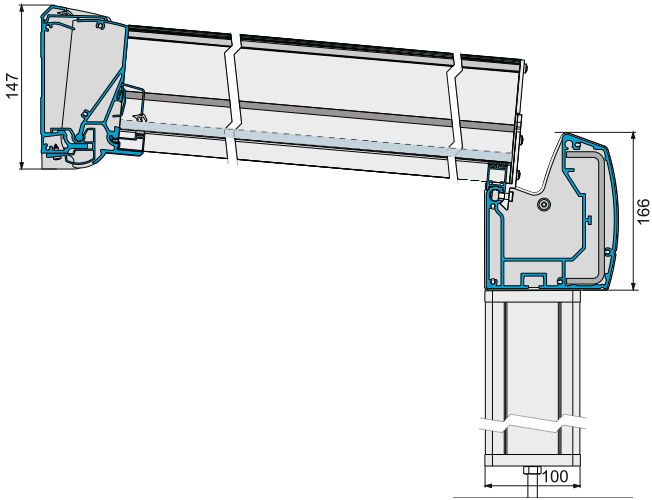
CE Standard: Look for the mark that guarantees the technical safety of our products.

Branded goods from Germany: Lewens awnings are manufactured and assembled in Germany – quality “made in Germany”!

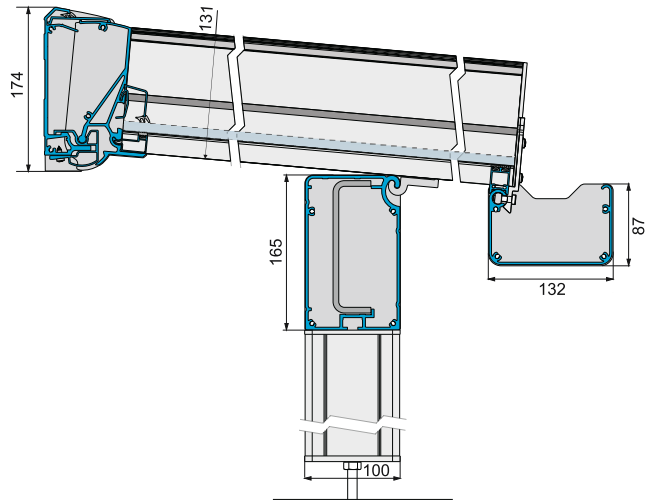
FITTING

MURANO VETRO

FLUSH type

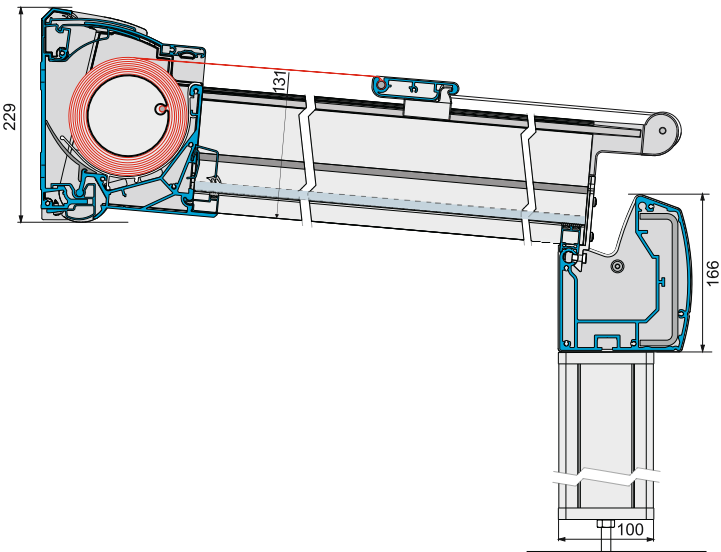


OVERHANG type

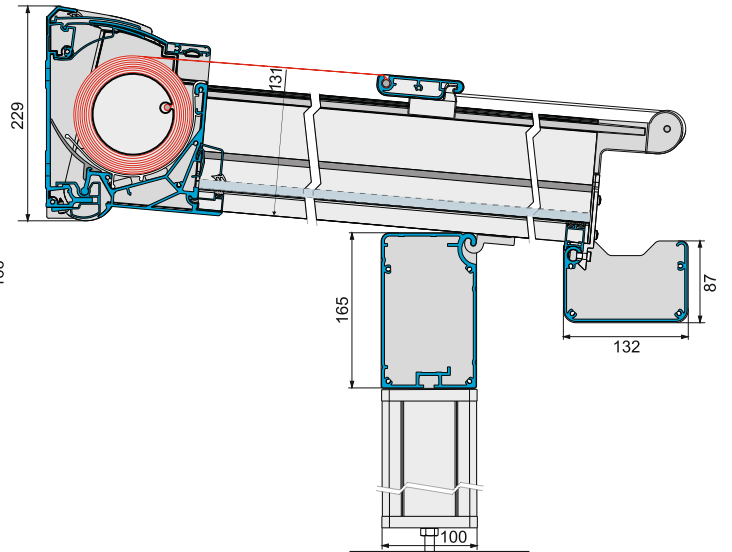


MURANO INTEGRALE

FLUSH type

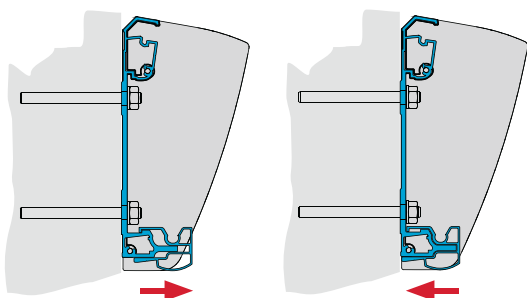


OVERHANG type



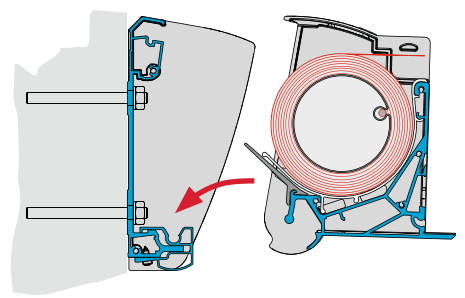
WALL MOUNTING (MURANO INTEGRALE)

Wall attachment



The bearing profile on which the cassette is mounted permits a tolerance, enabling any unevenness in the wall surface of up to 1 cm to be equalised without difficulty. Uneven areas exceeding 1 cm can be equalised using padding blocks.

Insertion of fabric cassette



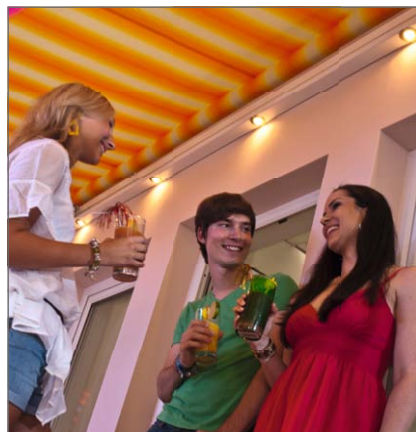
LEWENS - WERELDEN



Voilà, sunshine à la carte!

Click through the Lewens awning worlds and choose your own personal sun protection made to measure, with plenty of accessories for even greater pleasure from life.

www.lewens-markisen.de



FRAME COLOURS

Lewens offers a wide range of **standard frame colours at no extra charge** for all glass roof frames and awning models (exceptions: Economy and Piccolo):

- **16 RAL colours** (see below)
- **5 textured finishes** (see below)

STANDARD RAL		
	1015	Light ivory
	3002	Carmine red
	3003	Ruby red
	3004	Purple red
	5002	Ultramarine blue
	5005	Signal blue
	6005	Moss green
	6009	Fir green
	7016	Anthracite grey
	7024	Graphite grey
	8019	Grey brown
	8077	Dark brown
	9001	Cream
	9006	White aluminium
	9010	Pure white
	9016	Traffic white

STANDARD TEXTURED FINISHES		
	Textured finish RAL 7016	Anthracite grey, fine texture, matt
	Textured finish RAL 9005	Jet black, fine texture, matt
	Textured finish SL 92	Terra / brown
	Textured finish SL 93	Grey / marble
	Textured finish SL 94	DB 703 fine texture

SPECIAL COLOURS	
Special RAL <i>(please see current Lewens price list for selection)</i>	Extra charge
Special colours and effect finishes: – all non-listed RAL colours – fine and coarse texture – metallic finishes – pearlescent/glimmer-effect finishes – NCS colours	On request

AWNING FABRICS



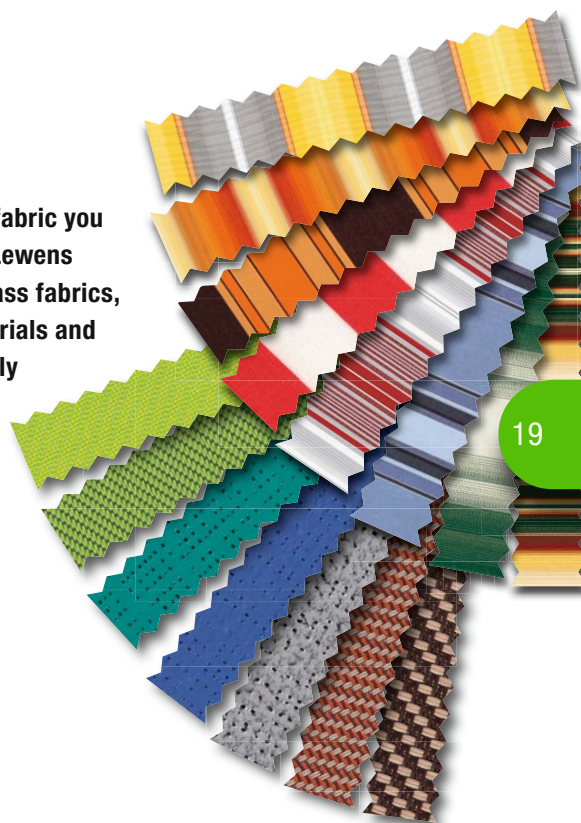
With nearly 300 samples to choose from, the Lewens collection offers you acrylic fabrics and also air-permeable screen and Soltis woven fabrics across the entire colour spectrum.

Lewens awning fabrics have been created especially to provide shade outdoors and are treated to make them water- and dirt-repellent. We make the awnings up using the latest sewing techniques for distortion-free seams and also using ultrasonic bonding. We have designed our manufacturing facility so that the awning fabrics can be laid out entirely flat (not folded) for making up.

Some of our quality features for glass roof awnings:

- Secure lockstitch used for making up
- Seams on top and bottom neatened (clean completion)
- Repeat-symmetrical completion left and right
- All seams sewn with Tenara® yarn

No matter which fabric you choose from the Lewens collection, top-class fabrics, high-quality materials and a modern assembly method will guarantee you many years of pleasure from your awning.

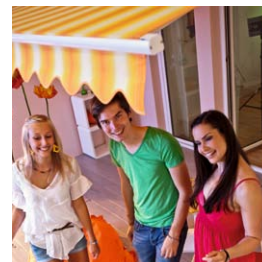


WE GUARANTEE



L.UST FOR LIFE

means being able to enjoy the summer outdoors without fear of sunburn, well protected against the heat and glare. Lewens awnings don't just provide shade, they are capable of more: they help us to enjoy the best aspects of summer.



I.NTELLIGENCE

isn't just in the head. Sometimes it is to be found elsewhere, in the technical details and workmanship of high-quality Lewens awnings – so that you, the user, can operate our products without any problems and can find a suitable solution for any task.



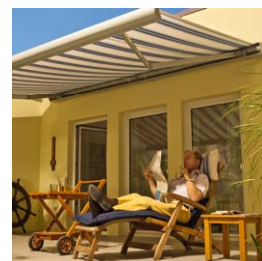
F.REEDOM

always has something to do with freedom of choice. Whether it's an awning for a small balcony or large patio or solutions for your conservatory that you need, Lewens specialist dealers provide professional advice and assembly. They are also happy to help you choose the colours and fabrics – so that you are entirely satisfied with every aspect of your awning!



E.ASY LIVING

is now more in demand than ever. Everyday life is stressful enough, the world turns ever faster and the pace of news quickens. It's good to have time to unwind and be able to relax with family and friends. It is precisely for these valuable occasions that we have created our awnings.



Lewens
MARKISEN

Your stockist will be happy to advise you:



*Just
enjoy life!*

www.lewens-markisen.de

