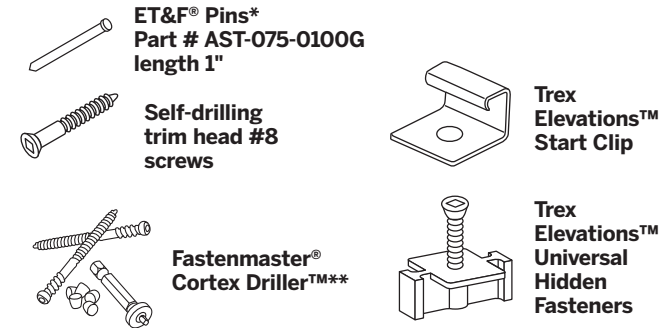
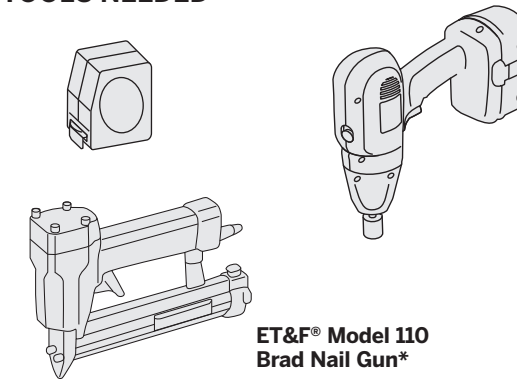


## HOW TO INSTALL DECK BOARDS

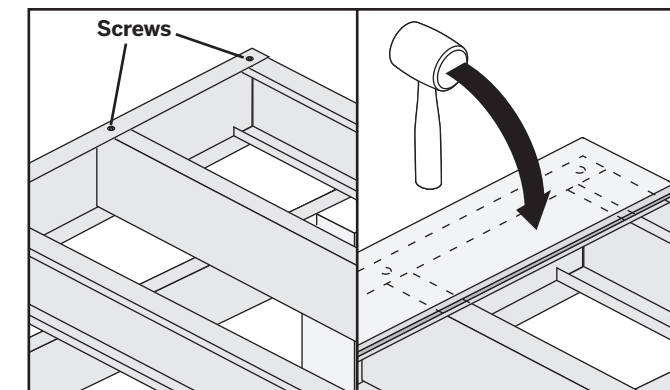
### PARTS



### TOOLS NEEDED

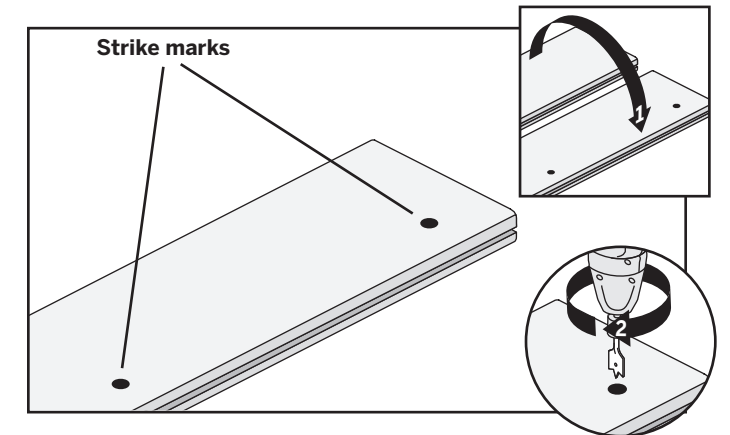


### Tip to install deck board over screws on ledger/front plate



1. Place deck boards in proper location over end joist fasteners. Use a rubber mallet on top of deck board in order to mark underside of decking where screws may have caused the deck board to stick up.

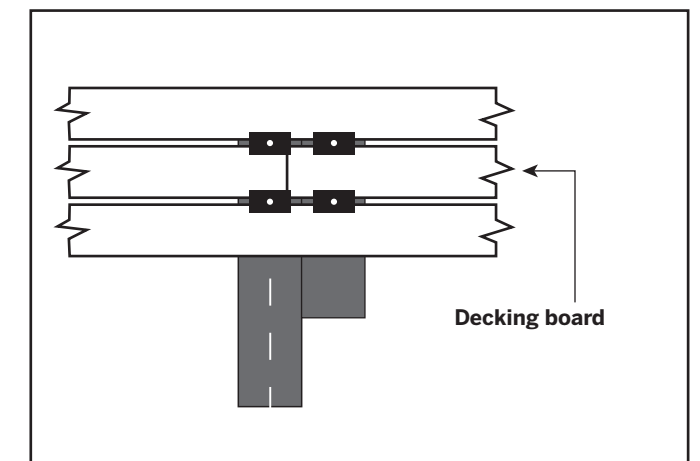
\*ET&F® is a registered trademark of ET&F Fastening Systems, Inc.  
\*\*Fastenmaster® Cortex Driller™ is a trademark of OMG, Inc



2. Flip board over so that bottom of board faces up and shows strike marks from the screws. Using a paddle drill bit, carefully drill holes to the depth of the fastener heads in the joist. Flip board over so that drilled holes fit over joist fasteners, and fasten board per instructions.

**NOTE:** Reference decking manufacturer installation instructions for more details in regards to proper gapping, etc.

### How to Butt Seams

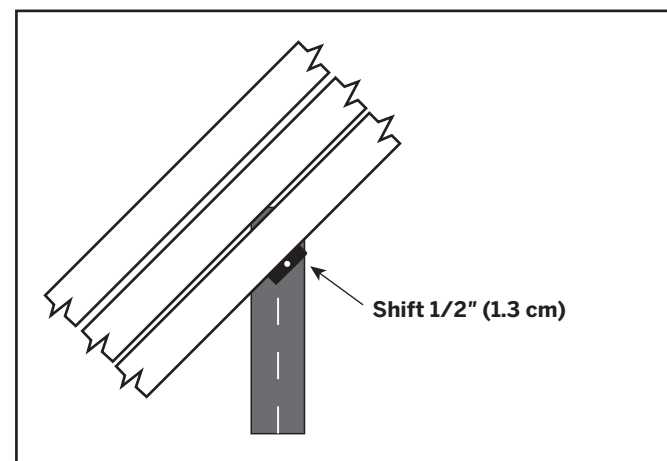


- » Install sister blocking along joists where end seams of boards will butt.
- » Place additional hidden fastener on the adjacent board over the joist and blocking where the seams meet.
- » Place the first board of the seam in place and secure with hidden fastener
- » Butt end of second board with proper gapping to first and secure with hidden fastener.

HOW TO INSTALL DECK BOARDS/CONTINUED

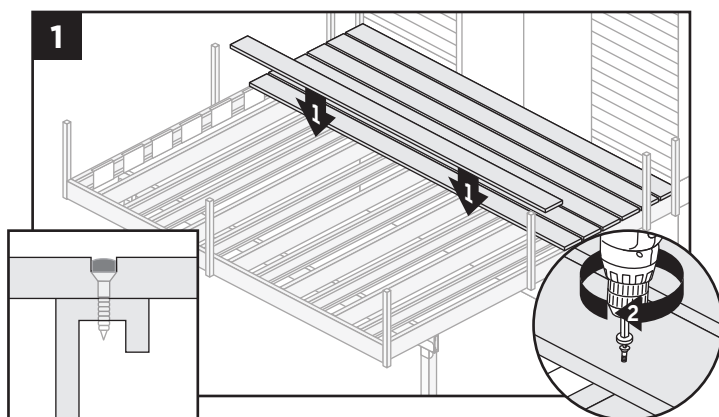
Installing Angled Deck Boards in Corners

Install Trex Hideaway® fasteners 1/2" (1.3 cm) off center to keep fastener screws in middle of joists.



Option 1:  
Traditional Top Down

**NOTE:** When using the Fastenmaster® Cortex Driller™ fasteners, pre-drilling may be required.



1. Fasten deck boards by screwing approved Fastenmaster® Cortex Driller™ screws top down through decking into Trex Elevations™ joists flange. Gently tap Cortex plugs into place to cover screws.

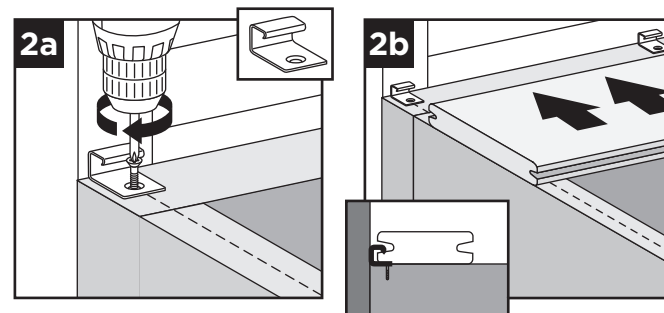
**⚠ WARNING**

**DO NOT** walk or stand on top of Trex Elevations joists prior to installing deck boards.

\*Fastenmaster® Cortex Driller™ is a trademark of OMG, Inc

Option 2:  
Trex Elevations™ Universal Hidden Fasteners

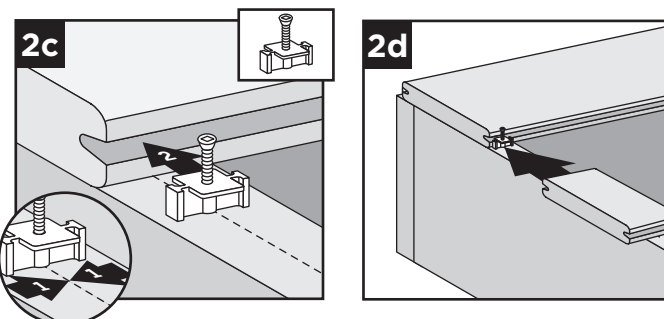
Installing Start Clips and First Board



**NOTE:** Maximum spacing of deck boards using Trex Hideaway® system is 16" (40.6 cm) on center. Fasteners provide 1/4" (0.6 cm) gap when installed correctly.

- 2a. Install start clips on edge of track board, centered on each joist. Secure clips with screws.
- 2b. Push grooved edge of deck board into start clips.  
**Important:** First board **MUST** be straight and well secured in order to establish a finished appearance for the remainder of the deck.

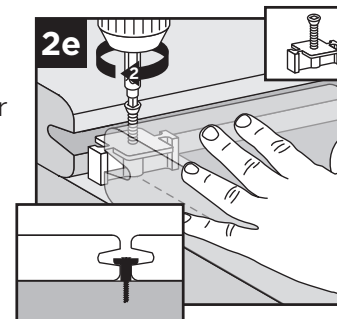
Installing Universal Fasteners



- 2c. Insert fastener into grooved edge of deck board. Align screw hole in fastener with center of joist.
- 2d. It is suggested that in order to keep the fastener straight and secure cut a piece of scrap groove board and use this as an aid to help hold the hidden fastener down before screwing this in. This will help make sure the fastener stays fully straight for remaining boards to be attached.

HOW TO INSTALL DECK BOARDS/CONTINUED

- 2e. Hold the scrap board in place and align screw hole in fastener with center of joist. Secure fastener and continue along the length of the board at every joist with fasteners.

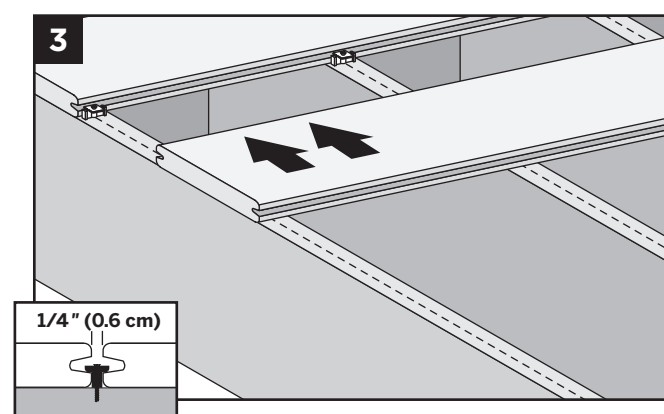


**NOTE:** Unlike screws, nails will not tighten with rotations.

**NOTE:** To prevent hidden 1" pin nails from protruding through deck board surface, angle pin nailer at 30°.

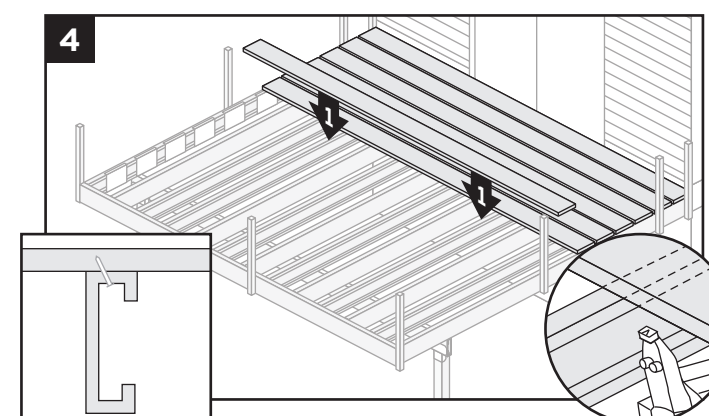
**NOTE:** The recommended brad pin nailer is the ET&F\* model 110. The recommended brad nails are #AST-075-0100G, length 1".

Installing Second Board



3. Slide second board into place, making sure fasteners fit into groove. Install the next universal fastener on the other side of the second board in the same manner as Steps 2c through 2e.

Option 3: Under Deck with Pin Nailer



4. Fasten deck boards with a minimum thickness of one inch. From under joist flange, shoot three 1" (2.5 cm) pin nails through joist flange into deck board gapped at a minimum of 1/4" (.64 cm). Weight must be applied on top of board to hold down. The force of the nail pushing into the decking may raise board.

\*ET&F® is a registered trademark of ET&F Fastening Systems, Inc.