

OUTDOOR BLINDS ARB 80

The outdoor blind model ARB 80 is among the proven classics on the market. All slat guide pins are made of zinc. Consequently this classic is an almost maintenance-free facade element.

If desired, the outdoor blind ARB 80 is also available with light control function.

HELLA

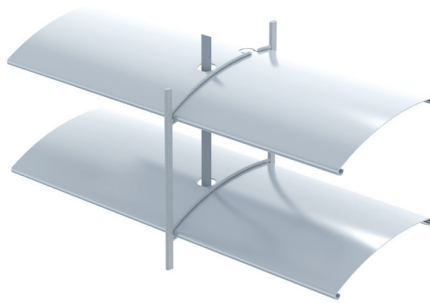
OUTDOOR BLINDS +
VENETIAN BLINDS

ARB 80

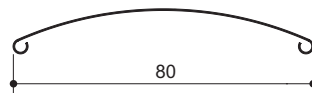
THE CLASSIC IN PROVEN DESIGN

The slats are - like all HELLA outdoor blinds - made of a highly flexible special aluminium alloy and convex-concave roll formed. Bordered hollow punchings protect the lifting tapes and supersede plastic clips. The bottom rail made of extruded aluminium profile is guided in the rails by plastic pins on both sides, which makes the entire slat blind more stable.

Sectional view of the slat



The convex-concave slat ARB 80



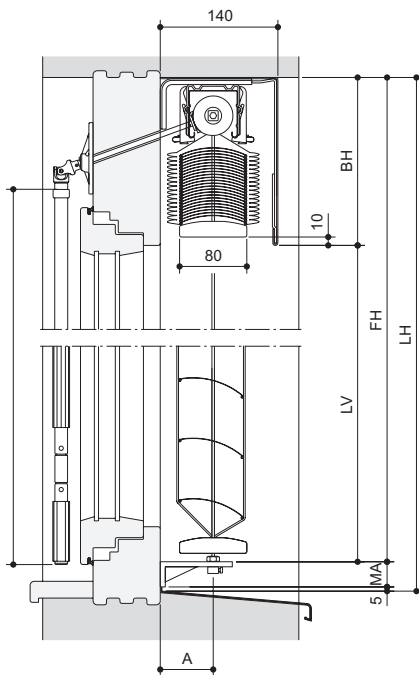
Scale 1:2



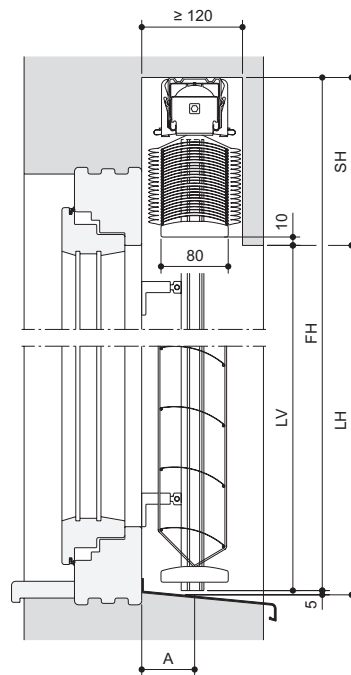
HELLA replaces the traditional conductive band fixation with plastic grommets by a fixation via smart OMEGA punching. This creates a unique product without plastic grommets. Perfect design and almost maintenance-free!

ART. NO. 7500 0072

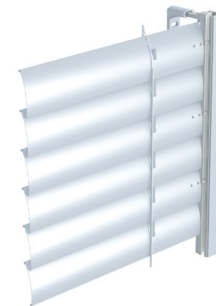
Installation examples



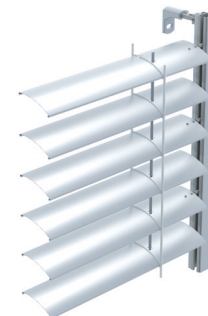
ARB 80 with top board and crank handle drive



ARB 80 in the recess



with guide rail, closed



with wire tensioning, opened by 45°

Package height (mm)	1000	1500	2000	2500	3000	3500	4000	4500	5000
Wire guidance/guide rail	160	190	220	255	285	320	350	380	415

Slat width	65	Slat type	bordered
Side guidance	Cable / guide rail	max. height (mm)	5200 (K/M)
Min. slat width (mm)	400 (K) / 430 (M)	Max. slat width (mm) single unit	5000 (K/M)
Max. blind surface (m²) single unit	14 (K) / 20 (M)	Max. blind surface (m²) linked units	12.6 (K) / 22.5 (M)